

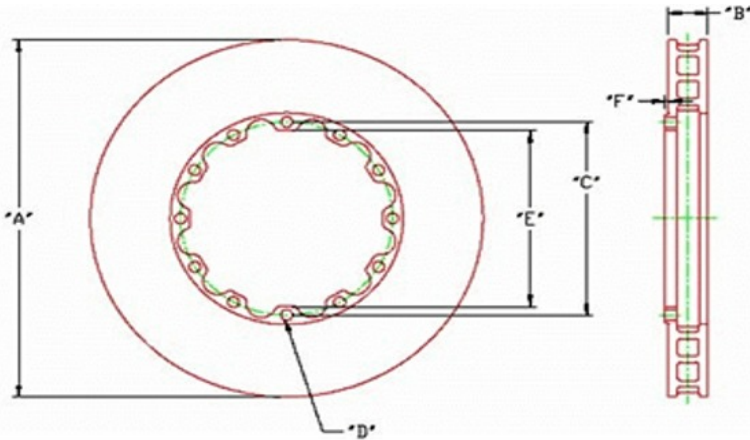
PERFORMANCE FRICTION BRAKES

Hat Ring
Order
Form
T-Bobbin Design

PFC (Aust) Pty Ltd
3/11 Christensen Road
Stapylton QLD 4207
Ph: 07 3807 6870
Fax: 07 3807 6404
email: sales@performancefrictionbrakes.com.au
www.performancefrictionbrakes.com.au

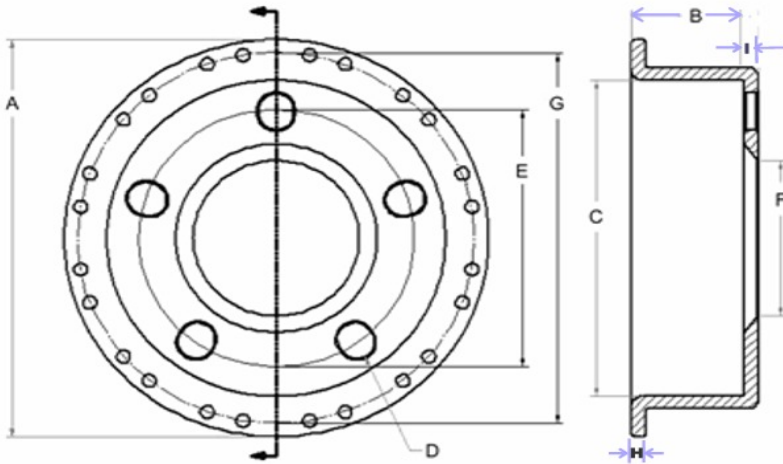
Make copies of this convenient form to use throughout the year when ordering PFC Discs and Hats.

Please use the diagram below to enter your dimensioning requirements.



A Outer Diam	D Bolt Hole Diam
B Overall Thickness	E Inner Diam
C Bolt Circle Diam	F Flange Step

Please use the diagram below to enter your dimensioning requirements.



A Outer Diam	F Pilot Diam.
B Hat Offset	G Bolt Circle Diam
C Hat Inner Diam	H Hat Flange Thickness
D Bolt Hole Diam	I Hat Hub Thickness
E Stud Circle Diam	# Cars in Series

Application:	<input type="text"/>	Pad Shape	<input type="text"/>
Disc Part Number	<input type="text"/>	Hat Part Number	<input type="text"/>
Your Name	<input type="text"/>		
Organization	<input type="text"/>		
Telephone	()	Fax	()
Email	<input type="text"/>		