

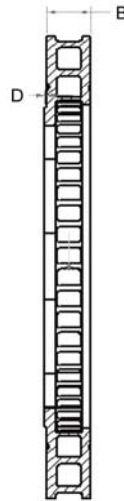
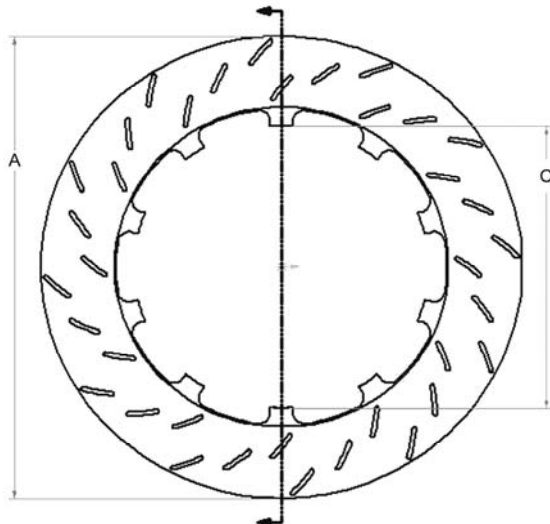
PERFORMANCE FRICTION BRAKES

Hat Ring
Order
Form
DIRECT DRIVE Design

PFC (Aust) Pty Ltd
3/11 Christensen Road
Stapylton QLD 4207
Ph: 07 3807 6870
Fax: 07 3807 6404
email: sales@performancefrictionbrakes.com.au
www.performancefrictionbrakes.com.au

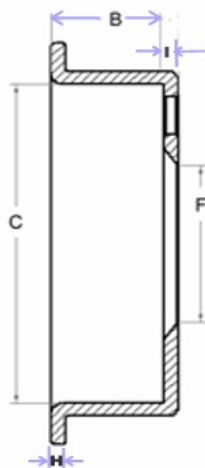
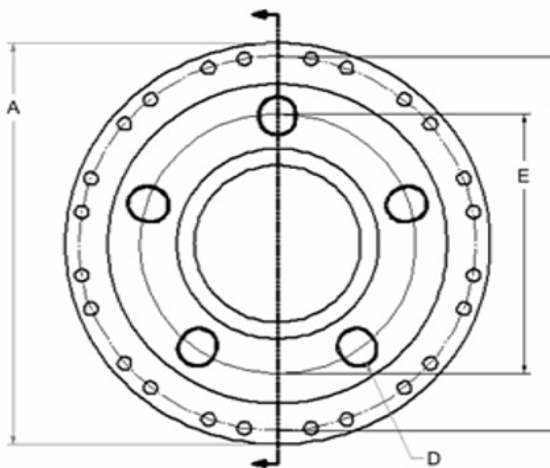
Make copies of this convenient form to use throughout the year when ordering PFC Discs and Hats.

Please use the diagram below to enter your dimensioning requirements.



A Outer Diameter	B Overall Thickness
C Flange Inner Diam	D Flange Step
E Core Thickness	F Pad Depth
G Rotor Inner Diameter	H Flange Thickness

Please use the diagram below to enter your dimensioning requirements.



A Outer Diam	F Pilot Diam.
B Hat Offset	G Bolt Circle Diam
C Hat Inner Diam	H Hat Flange Thickness
D Bolt Hole Diam	I Hat Hub Thickness
E Stud Circle Diam	# Cars in Series

Application:

Pad Shape

Disc Part
Number

Hat Part Number

Your Name

Organization

Telephone

()

Fax ()

Email